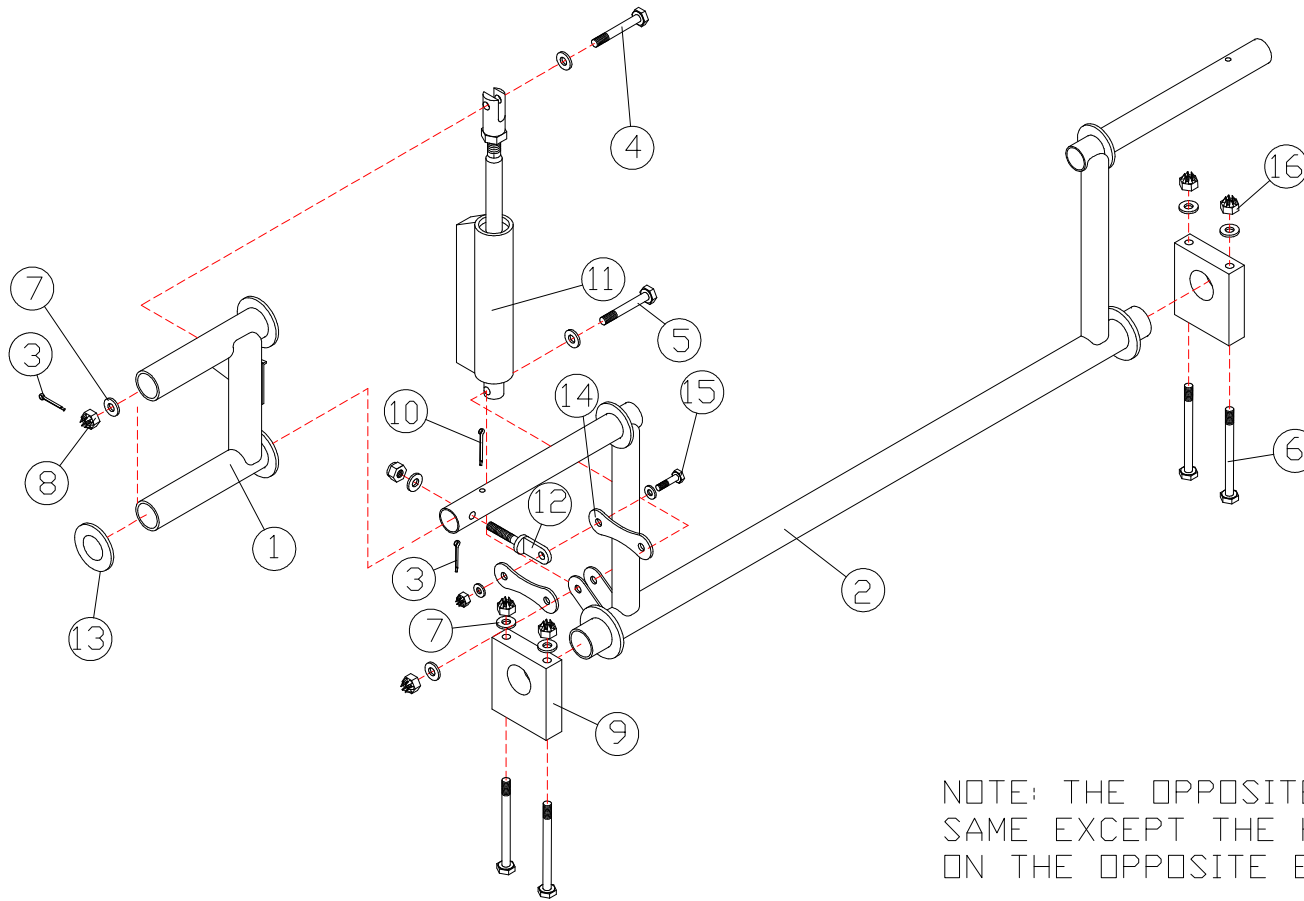


REBEL BRAKE/RUDDER PEDAL ASSEMBLY
PILOTS LEFT RUDDER ASSEMBLY SHOWN

2-Jun-98



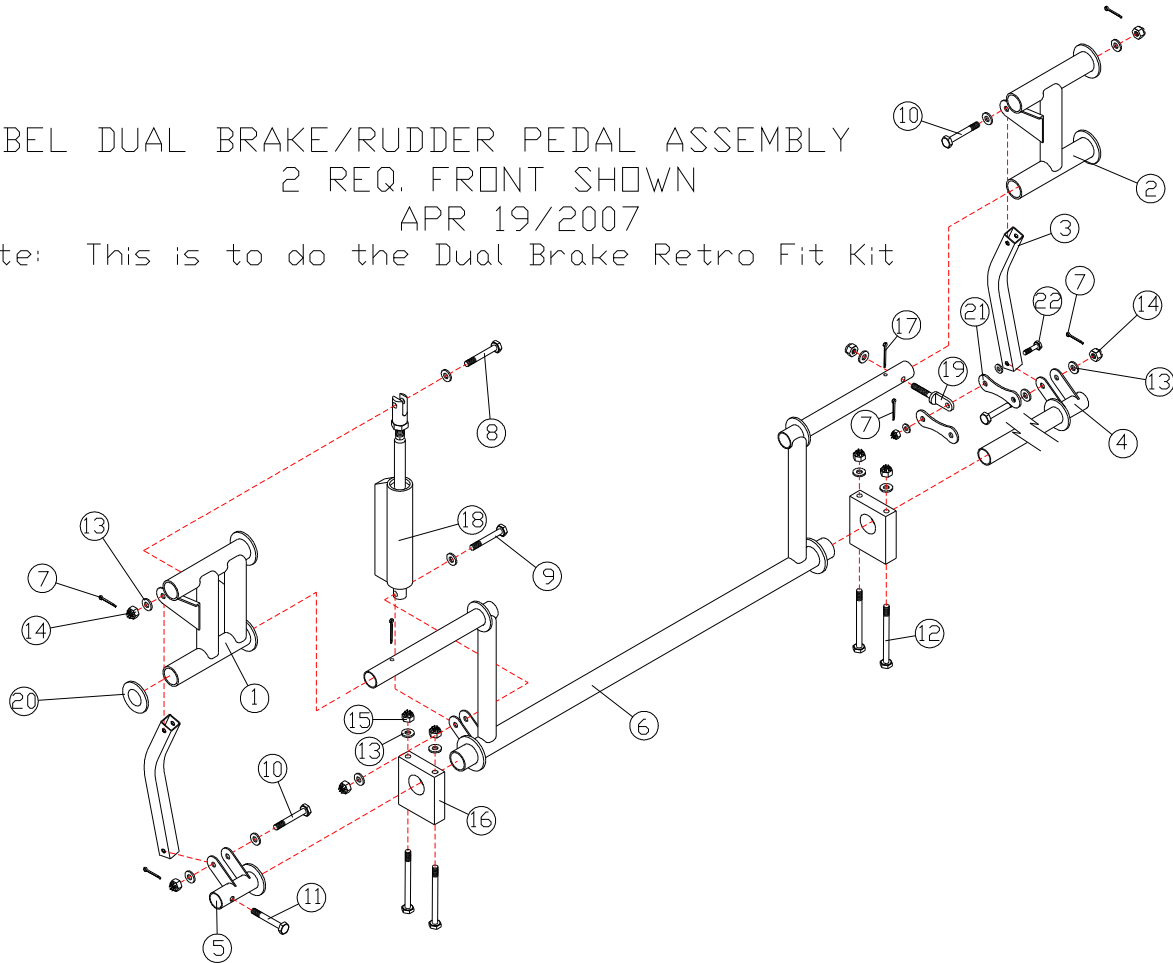
REBEL Brake/Rudder Pedal Parts List

NAME	PART NO.	QTY
1 BRAKE PEDAL	BP-4	2
2 RUDDER PEDAL ASY	RP-14	2
3 COTTER PIN	MS24665-132	4
4 BOLT	AN3-10	2
5 BOLT	AN3-11	2
6 BOLT	AN3-22A	8
7 WASHER	AN960-10	24
8 CASTLE NUT	AN310-3	4
9 RUDDER BLOCK	RP-13	4
10 COTTER PIN	MS24665-357	2
11 MASTER CYLINDER	MC-4A	2
12 EYE BOLT	AN42B-10A	2
13 WASHER	AN960-1016	2
14 TANG	T12-HT4	4
15 BOLT	AN3-4	4
16 FIBER NUT	AN365-1032	10

NOTE: THE OPPOSITE SIDE ASSEMBLY IS THE SAME EXCEPT THE H12-HT4 TANG ASSEMBLY IS ON THE OPPOSITE END.

REBEL DUAL BRAKE/RUDDER PEDAL ASSEMBLY
 2 REQ. FRONT SHOWN
 APR 19/2007

Note: This is to do the Dual Brake Retro Fit Kit

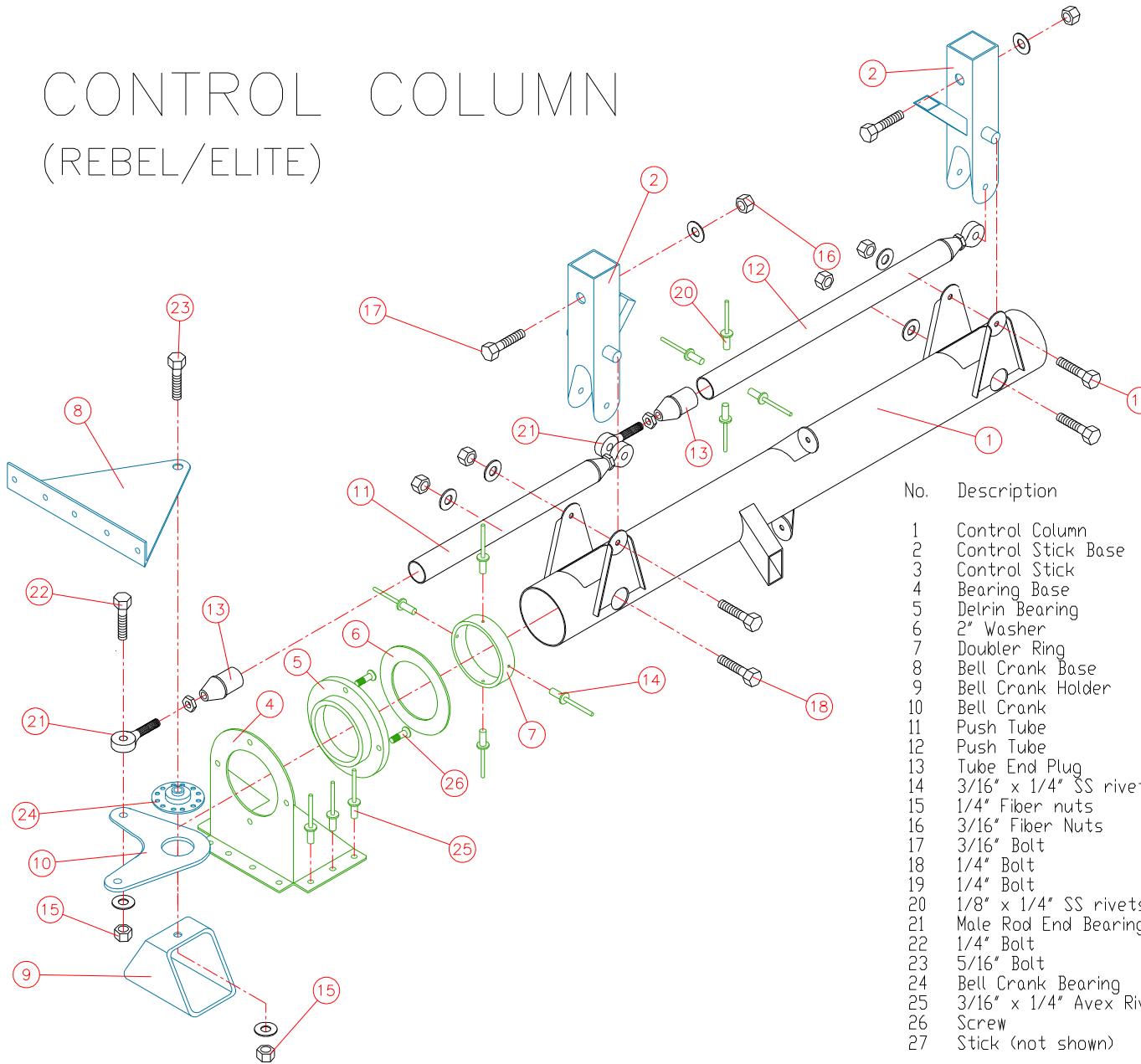


REBEL Dual Brake/Rudder Pedal Parts List 2-Jun-97

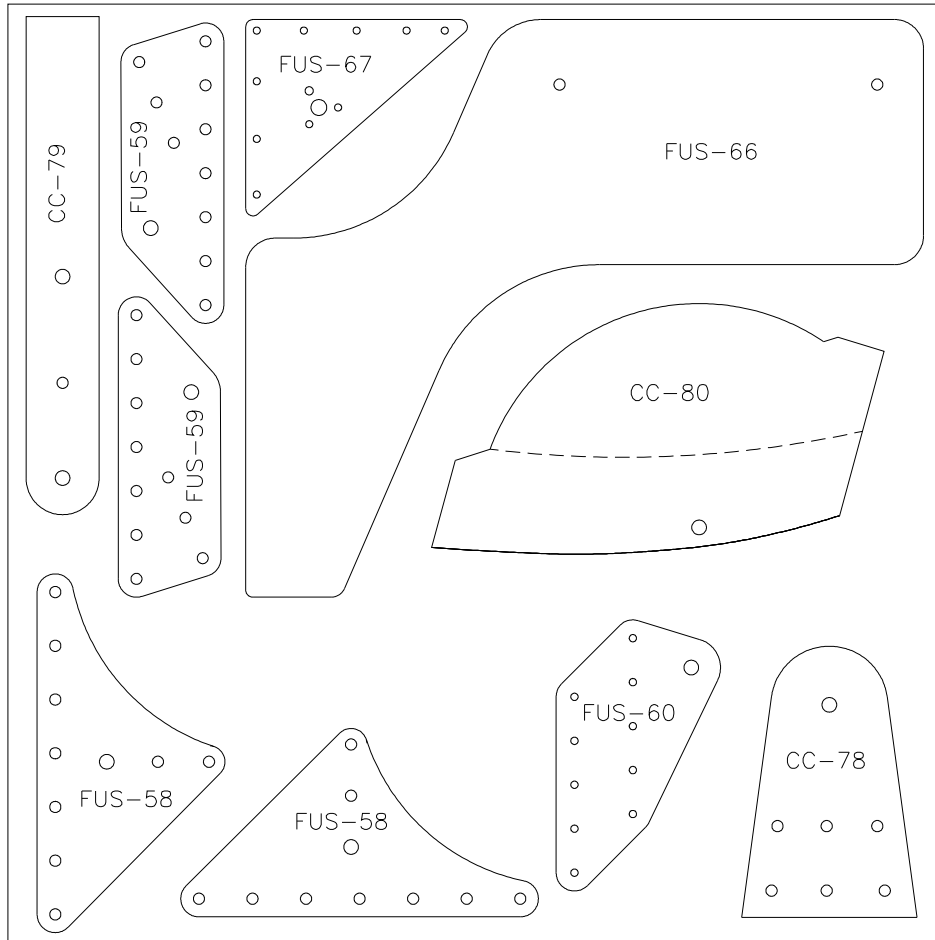
NAME	NO.	AMOUNT
1 MASTER BRAKE PEDAL	RP-15	2
2 SLAVE BRAKE PEDAL	RP-16	2
3 PUSHROD	RP-17	4
4 SLAVE BRAKE TORQUE TUBE	RP-18	2
5 MASTER TORQUE FITTING	RP-19	2
6 RUDDER PEDAL ASSEMBLY	RP-14	2
7 COTTER PIN	MS24665-132	14
8 BOLT	AN3-10A	2
9 BOLT	AN3-11A	2
10 BOLT	AN3-12A	8
11 BOLT	AN3-11A	2
12 BOLT	AN3-22A	8
13 WASHER	AN960-10	48
14 CASTLE NUT	AN310-3	14
15 FIBER NUT	AN365-1032	12
16 RUDDER BLOCK	RP-13	4
17 COTTER PIN	MS24665-357	4
18 MASTER CYLINDER		2
19 EYE BOLT	AN42B-10A	2
20 WASHER	AN960-1016	2
21 TANG	T12-HT4	4
22 BOLT	AN3-4	2

[REBEL Dual Brake Retrofit]

CONTROL COLUMN (REBEL/ELITE)



No.	Description	Part #	Req.
1	Control Column	CC-35-1	1
2	Control Stick Base	CC-36	2
3	Control Stick	CC-5	2
4	Bearing Base	CC-38	2
5	Delrin Bearing	CC-37	2
6	2" Washer	A-M2W	2
7	Doubler Ring	CC-54	2
8	Bell Crank Base	CC-41	1
9	Bell Crank Holder	CC-42	1
10	Bell Crank	CC-47-2	1
11	Push Tube	CC-50	0.4
12	Push Tube	CC-50	0.6
13	Tube End Plug	CC-29	4
14	3/16" x 1/4" SS rivets	RR-5604	8
15	1/4" Fiber nuts	AN365-428	6
16	3/16" Fiber Nuts	AN365-1032	2
17	3/16" Bolt	AN3-14A	2
18	1/4" Bolt	AN4-13A	2
19	1/4" Bolt	AN4-25A	2
20	1/8" x 1/4" SS rivets	RR-5404	16
21	Male Rod End Bearing	HM4M	4
22	1/4" Bolt	AN4-7	1
23	5/16" Bolt	AN5-16	1
24	Bell Crank Bearing	MI-25	1
25	3/16" x 1/4" Avex Rivets	RV-1619	28
26	Screw	AN509-1032R	8
27	Stick (not shown)	(ELITE) CC-5-1	2
		(REBEL) CC-5	2



FUS-57
2024-T3 16"x16"x.125

[DCM0528]