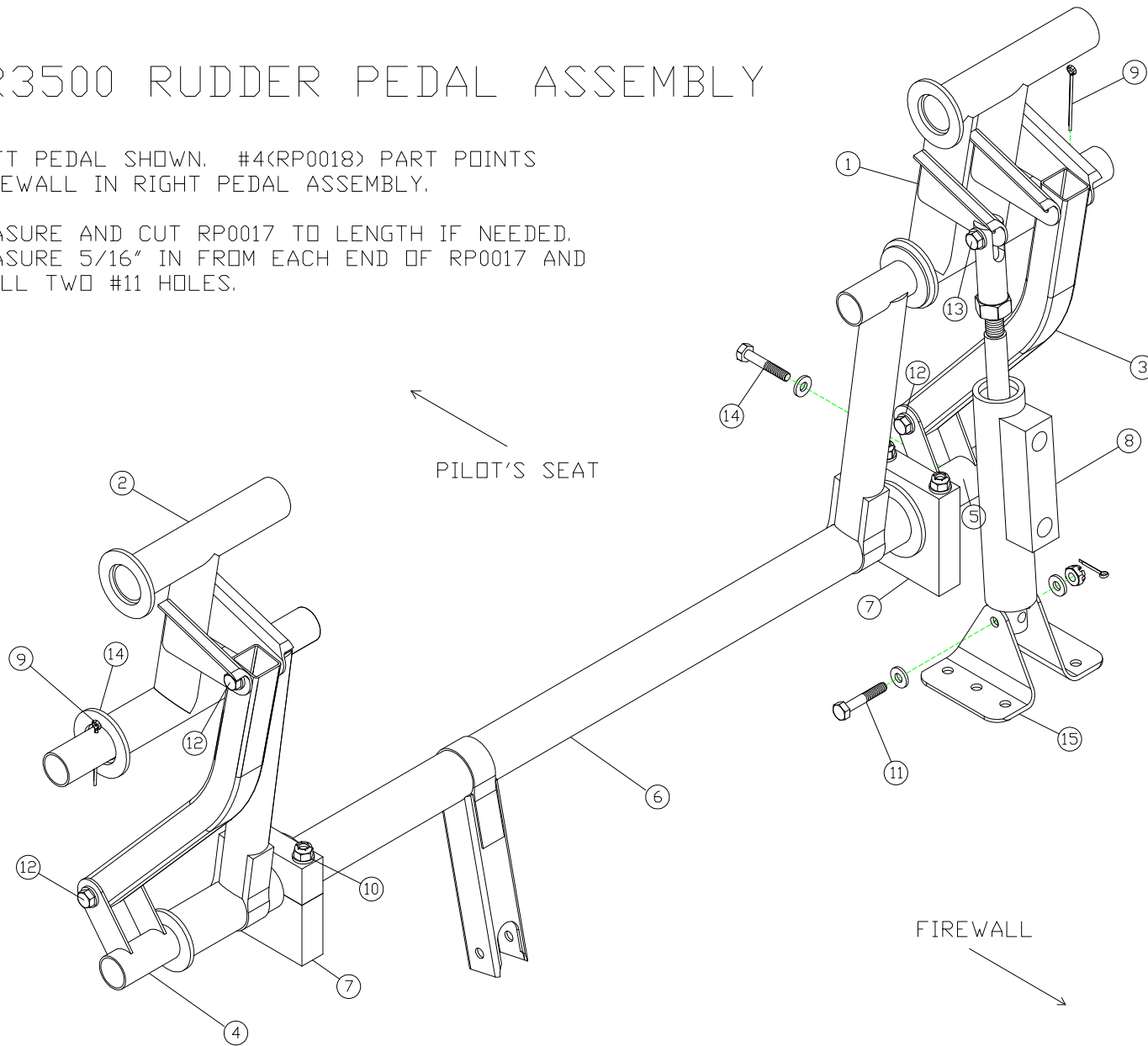
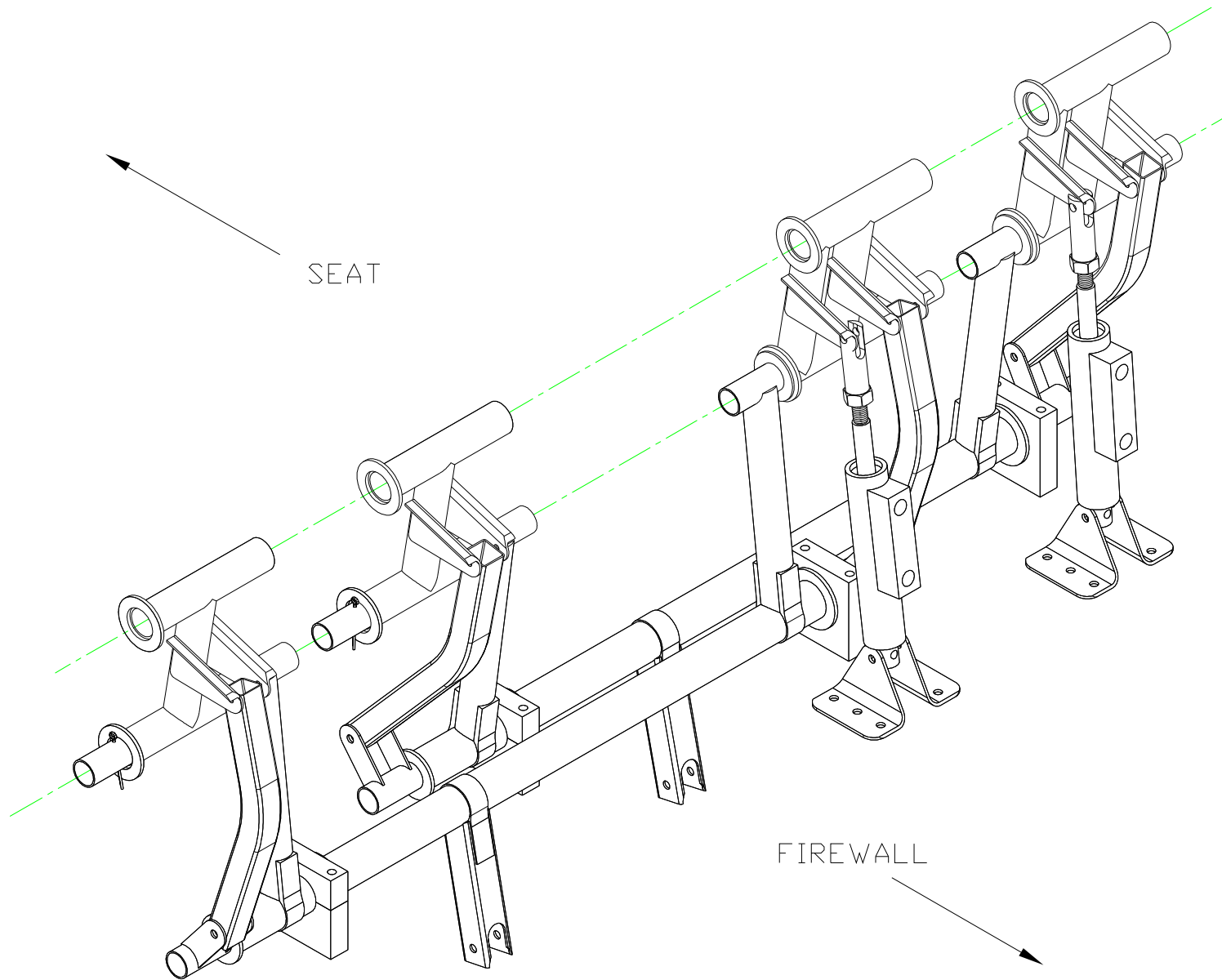


# SR3500 RUDDER PEDAL ASSEMBLY

LEFT PEDAL SHOWN. #4(RP0018) PART POINTS  
FIREWALL IN RIGHT PEDAL ASSEMBLY.

MEASURE AND CUT RP0017 TO LENGTH IF NEEDED.  
MEASURE 5/16" IN FROM EACH END OF RP0017 AND  
DRILL TWO #11 HOLES.

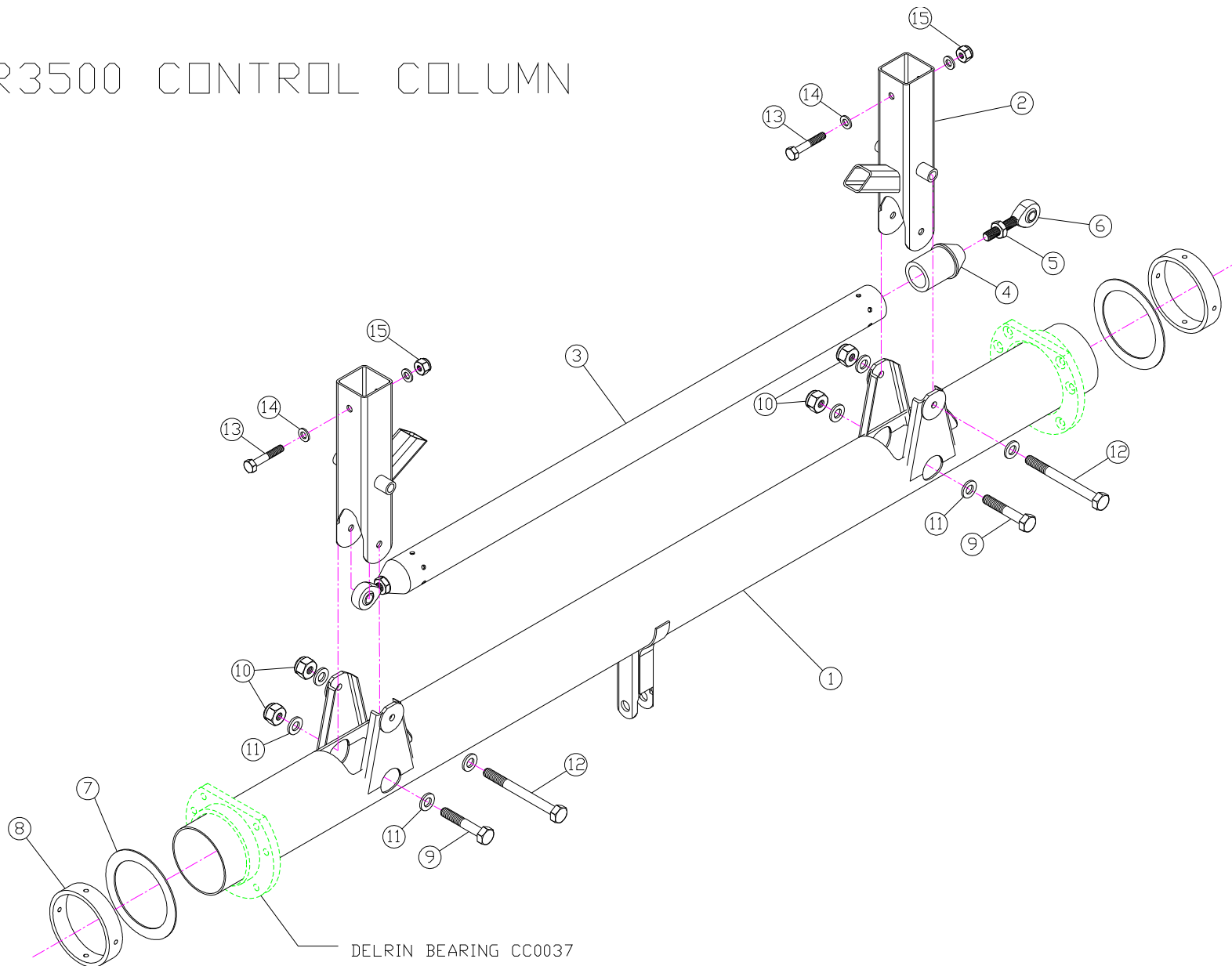




## SR3500 Rudder Pedal Parts List

ITEM	DESCRIPTION	PART NUMBER	QTY
1	MASTER BRAKE PEDAL	RP0015	2
2	SLAVE BRAKE PEDAL	RP0016	2
3	PUSH ROD	RP0017	4
4	SLAVE BRAKE TORQUE TUBE	RP0018	2
5	MASTER TORQUE FITTING	RP0019	2
6	RUDDER PEDAL (CC0102L SHOWN)	CC0102	1L+1R
7	RUDDER BLOCK	RP0013	4
8	MASTER CYLINDER	MC-4A	2
9	COTTER PIN	MS24665-357	4
10	BOLT	AN3-24A	8
	FIBER NUT	AN365-1032	8
11	BOLT	AN3-11	2
	CASTLE NUT	AN310-3	2
12	BOLT	AN3-12	8
	CASTLE NUT	AN310-3	8
13	BOLT	AN3-10	2
	CASTLE NUT	AN310-3	2
14	WASHER	AN960-1016	2
	WASHER	AN960-10	40
	COTTER PIN	MS24665-132	12
15	MASTER CYLINDER STANDOFF	BRK0220	4

# SR3500 CONTROL COLUMN



## SR3500 Control Column Parts List

ITEM	DESCRIPTION	PART NUMBER	QTY
1	CONTROL COLUMN TORQUE TUBE	CC0104	1
2	CONTROL STICK BASE	CC0036	2
3	PUSH TUBE	RAWST0001	20.5"
	- STAINLESS STEEL RIVET	RR5404	12
4	TUBE END PLUG	CC0028	2
5	JAM NUT	AN316-4	2
6	MALE ROD END BEARING	MM-4M	2
7	2" WASHER	A-M2W	2
8	TUBE DOUBLER (2.25 x 0.5 x 0.12 RND TUBE)	CC0054	2
	- STAINLESS STEEL RIVET	RR5602	8
9	BOLT	AN4-14A	2
10	FIBER NUT	AN365-428	4
11	WASHER	AN960-416	8
12	BOLT	AN4-26A	2
13	BOLT	AN3-14A	2
14	WASHER	AN960-10	4
15	FIBER NUT	AN365-1032	2
	CONTROL STICK (not shown)	CC0103	2